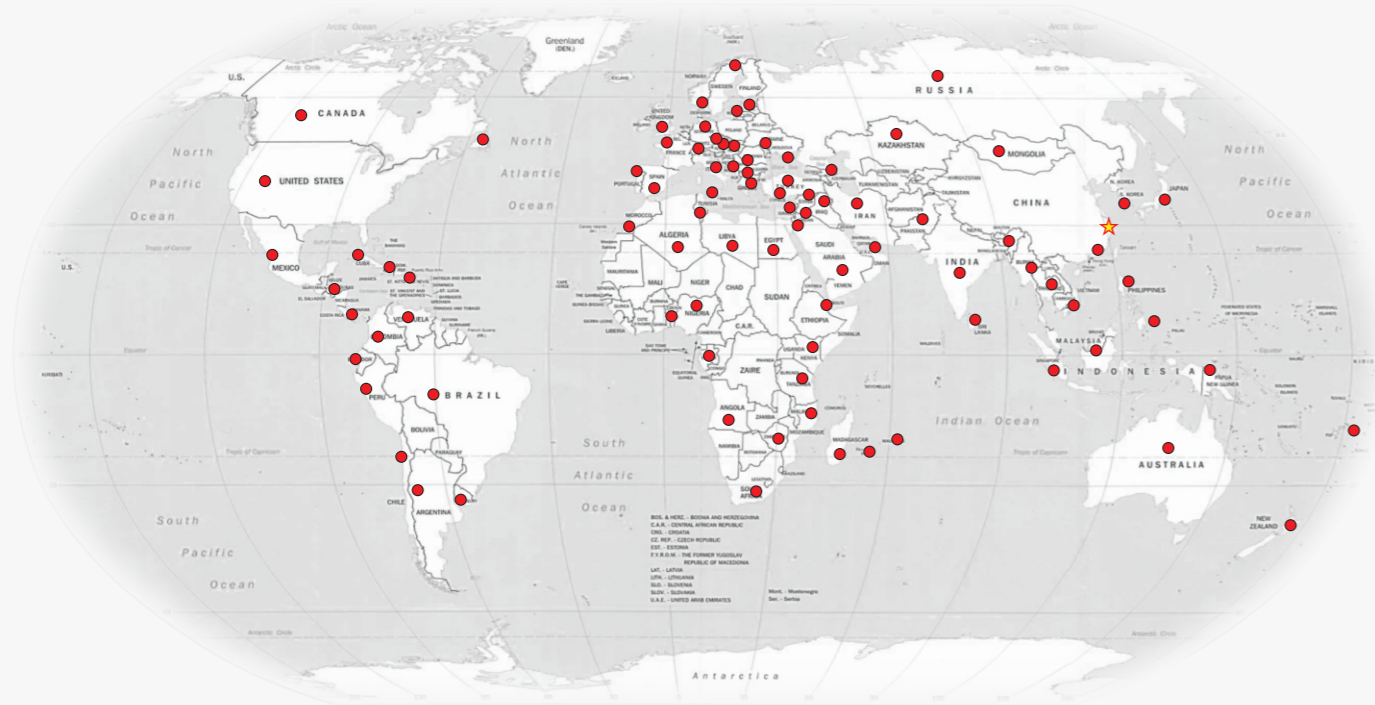


G LOBAL SALES NETWORK



J Series

2.0/4.0/6.0t
Electric Tow Tractor



CE CERTIFICATE



ISO14001:2004



ISO9001:2008

HANGCHA GROUP CO., LTD.
(Zhejiang Hangcha Imp. & Exp.Co.,Ltd.)

www.hcforlift.com

Add:398 Shi Qiao Road, Hangzhou Zhejiang province, China(310022)
Factory site:No.88,Donghuan Rd., Economic Development Zone Lin'an, Zhejiang, China(311305)
Tel: +86-571-88926755
Fax: +86-571-88926789 88132890
E-mail: sales@hcforlift.com

HANGCHA GROUP CO., LTD. Reserves the right to make any changes without notice concerning colors, equipment, or specifications detailed in this brochure, or to discontinue individual models. The colors of trucks, delivered may differ slightly from those in brochures.

2015 VERSION 1/COPYRIGHT 2015/10

HANGCHA GROUP CO., LTD.

STABILITY

Battery is dropped down to the lowest part of frame .This gives tow tractor excellent stability because low centre of gravity.

COMFORT

Low noise, low shake, energy efficient.

Lower step and capacious room will be much appreciated by operators who have to get on and off tow tractor.

Ergonomically designed switch, instrument, pedal .Adjustable seat and steering wheel ensure maximum operator comfort and minimum fatigue.

Operator can control rear towing coupling from optional towing coupling control equipment .

Exchange battery easily from optional dolly for side-exchange battery .

PERFORMANCE

Multiple benefits of the AC Power System include: fast response to operating commands, precise power control, regenerative system.

Economy of operation, resulting from minimized maintenance costs,e.g. Fully enclosed 3 phase AC asynchronous motor with high degree of efficiency maintenance free for life .

A high number of work cycles can be obtained from each battery charge due to the efficiency of this system of energy control.

System is fully adjustable to suit the load, the working area and the operator . Inbuilt diagnostics record intermittent faults and service requirements reducing expensive service time.

MAINTAINABILITY

You can open and close the battery cover hood for daily checkup the battery, motor and controller. It's easy to access inner of battery cover for maintenance.

J series 2.0 ~ 6.0t electric tow tractor specification:

| | | HANGCHA GROUP CO.,LTD. | | | | | | | |
|---------------------|------|---|----------------------|----------------------|--------------------|----------------------|--------------------|----------------------|-----------|
| Distinguishing mark | 1.1 | Manufacturer | | | | | | | |
| | 1.2 | Manufacturer's type designation | QDD2-D2 QDD2-C1 | QDD2-D2S QDD2-C1S | QDD4-D2 QDD4-C1 | QDD4-D2S QDD4-C1S | QDD6-D2 QDD6-C1 | QDD6-D2S QDD6-C1S | |
| | 1.4 | Operator type: hand, pedestrian, standing, seated, order-picker | Seated | Standing | Seated | Standing | Seated | Standing | |
| | 1.7 | Rated drawbar pull | F (N) | 500 | 500 | 1000 | 1000 | 1500 | 1500 |
| | 1.9 | Wheelbase | y (mm) | 1140 | 1140 | 1295 | 1295 | 1295 | 1295 |
| Weight | 2.1 | Service Weight | kg | 780 | 780 | 900 | 900 | 980 | 980 |
| | | | | | | | | | |
| Tyres, chassis | 3.2 | Tyre size, front | | 3,5-5 | 3,5-5 | 3,5-5 | 3,5-5 | 3,5-5 | 3,5-5 |
| | 3.3 | Tyre size, rear | | 4,0-8 | 4,0-8 | 4,0-8 | 4,0-8 | 4,0-8 | 4,0-8 |
| | 3.5 | Wheels, number front / rear (x = driven wheels) | | 1/2 | 1/2 | 2/2 | 2/2 | 2/2 | 2/2 |
| | 3.6 | Tread, front | b ₁₀ (mm) | \ | \ | 200 | 200 | 200 | 200 |
| Dimensions | 3.7 | Tread, rear | b ₁₁ (mm) | 670 | 670 | 670 | 670 | 670 | 670 |
| | 4.7 | Height of overhead guard (cabin) | h ₆ (mm) | 1236 | 1206 | 1236 | 1206 | 1236 | 1206 |
| | 4.12 | Coupling height | h ₁₀ (mm) | 262-348 | 262-348 | 262-348 | 262-348 | 262-348 | 262-348 |
| | 4.19 | Overall length | l ₁ (mm) | 1690 | 1690 | 1845 | 1845 | 1845 | 1845 |
| | 4.21 | Overall width (With cabin) | b ₁ (mm) | 800 | 800 | 800 (882) | 800 (882) | 800 (882) | 800 (882) |
| | 4.32 | Ground clearance, centre of wheelbase | m ₂ (mm) | 80 | 80 | 80 | 80 | 80 | 80 |
| | 4.35 | Turning radius | W _a (mm) | 1600 | 1600 | 1760 | 1760 | 1760 | 1760 |
| Performance data | 5.1 | Travel speed, laden/unladen | km/h | 6/13 | 6/13 | 6/13 | 6/13 | 6/13 | 6/13 |
| | 5.5 | Drawbar pull, laden/unladen | N | 500 | 500 | 1000 | 1000 | 1500 | 1500 |
| | 5.6 | Max. Drawbar pull, laden/unladen | N | 2000 | 2000 | 4000 | 4000 | 4500 | 4500 |
| | 5.7 | Gradeability, laden/unladen | % | - /25 | - /25 | - /25 | - /25 | - /25 | - /25 |
| Electric-engine | 6.1 | Drive motor rating S2 60 min | kW | 1.95 | 1.95 | 4.28 | 4.28 | 4.28 | 4.28 |
| | 6.4 | Battery voltage, nominal capacity K5,Standard | V/Ah | 48/165 | 48/165 | 48/210 | 48/210 | 48/275 | 48/275 |
| | | Battery voltage, nominal capacity K5,Optional | V/Ah | 48/210 | 48/210 | 48/275 | 48/275 | 48/350 | 48/350 |



Front double-tyre



Ergonomically designed combined switch, instrument



Lower step and capacious room



A large battery cover hood

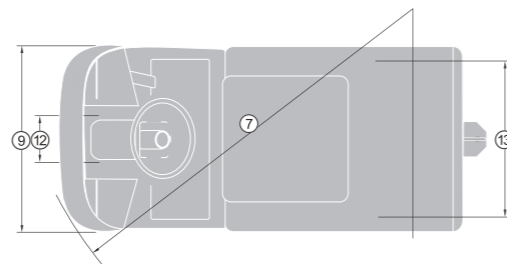
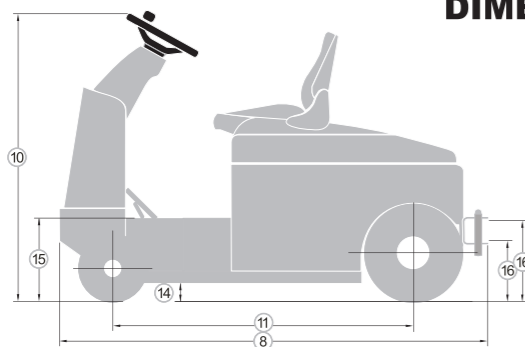


AC power system



Small dimension and round shape

DIMENSIONS



J series 2.0 ~ 6.0t electric tow tractor performance: (5 Min start on slope)

| Surface Condition (Dry Even Concrete) | MODEL | QDD2-C1/C1S/D2/D2S | QDD4-C1/C1S/D2/D2S | QDD6-C1/C1S/D2/D2S |
|--|------------|--------------------|--------------------|--------------------|
| | Level Road | | 2000 | 4000 |
| Grade (Degrees) | 1° | 1700 | 3800 | 4200 |
| | 2° | 1300 | 3000 | 3400 |
| | 3° | 1000 | 2500 | 2800 |
| | 4° | 800 | 2100 | 2300 |

Specifications are subject to change without notice.



Standard

- Front headlight
- Rear combined lamp
- Electrical horn
- Emergency disconnect switch
- Pneumatic tyre
- Front double-tyre (4~6 ton)
- Safety pedal (stand-on)
- AC power system
- Standard battery
- Multi-function LCD display
- Toolbox

Optional

- Solid tyre
- High capacity battery
- Suspension seat
- Battery charger
- Towing coupling height
- Front double-tyre (2 ton)
- Towing coupling control equipment
- Dolly for side-exchange battery
- Mirror