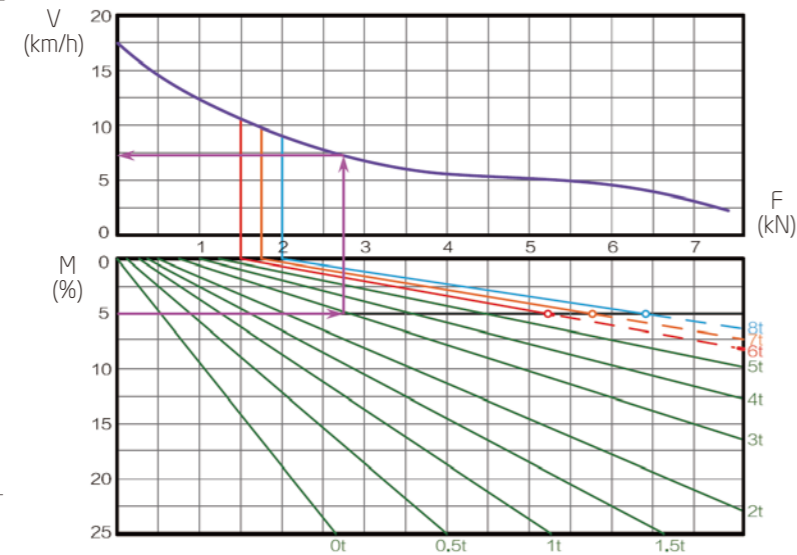
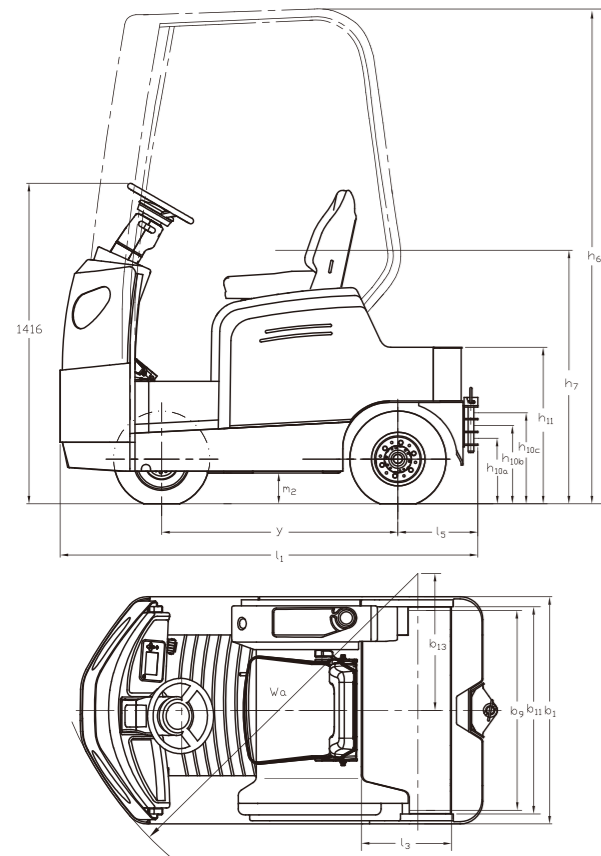


X series 6.0-8.0t Electric Tow Tractor Specification

		HANGCHA GROUP CO.,LTD.			
Identification	1.1	Manufacturer			
	1.2	Model	QDD60-XD2	QDD70-XD2	
	1.3	Drive	Electric	Electric	
	1.4	Manual, pedestrian, stand-on, seated, order picker operation	Seat	Seat	
	1.5	Load capacity/rated load	Q (t)	6	7
Weights	1.7	Rated tractive power	F (N)	1500	1750
	1.9	Wheelbase	y (mm)	1035	1035
	2.1.1	Net weight incl. battery (see row 6.5)	kg	1250	1300
	2.3	Axle load without load front/rear	kg	570/680	570/680
	Wheels / frame	3.1	Tyres	Pneumatic	Pneumatic
3.2		Tyre size, front	4.00-8	4.00-8	
3.3		Tyre size, rear	4.00-8	4.00-8	
3.5		Wheels, number front/rear (* = driven wheels)	1/2x	1/2x	
3.7		Tread width, rear	b11 (mm)	870	870
Basic dimensions	4.7	Height of overhead guard	h6 (mm)	2140	
	4.8	Seat height/stand height	h7 (mm)	1020	
	4.12	Coupling height	h10 (mm)	274	
	4.12.1	2nd coupling height	mm	330	
	4.12.2	3. Coupling height	h10 (mm)	386	
	4.13	loading height without load	h11 (mm)	686	
	4.16	loading area length	l3 (mm)	395	
	4.17	Overhang length	l5 (mm)	350	
	4.18	Loading area width	b9 (mm)	908	
	4.19	Overall length	l1 (mm)	1830	
	4.21	Overall width	b1, b2 (mm)	996	
	4.32	Ground clearance, centre of wheelbase	m2 (mm)	135	
	4.35	Turning radius	Wa (mm)	1650	
	4.36	Smallest pivot point distance	b13 (mm)	600	
	Performance data	5.1	Travel speed, laden/unladen	km/h	11.2/18
5.5		Drawbar pull w. / w.o. load	N	1500	
5.6		Max. drawbar pull, laden/unladen	N	4500	
5.7		Gradeability laden/unladen	%	5/25	
5.10		Service brake	hydraulic	hydraulic	
Misc. Electrics	6.1	Drive motor, output 52 60 min.	Kw	4.5	
	6.3	Battery as per DIN 43531 /35/36 A, B, C, no	A 43531	A 43531	
	6.4	Battery voltage/nominal capacity K5	V/Ah	48/300	
	6.5	Battery weight	kg	500	
	8.1	Type of drive control	AC	AC	
8.4	Sound pressure level at operator's ear as per EN 12053	dB(A)	60		

Traction device specification

	Coupling height h10a/b/c (mm)	h10a-h10a, h10c-h10c (mm)
Std.	274/330/386	50
Opt 1	218/274/330	50
Opt 2	330/386/442	50



v=speed (km/h), m=incline (%), F=drawbar pull (N)

Using method: It requires about 2750N traction for towing when the QDD60-XD2 tow tractor travels on 5% upward slope by towing 3t load, and in such case the travel speed is 7.3km/h approximately.

Warning: Better apply tow tractor with brake when gradient of downward slope is over 4%.



ZHEJIANG HANGCHA IMP. & EXP. CO., LTD.

Factory site: 666 Xiangfu Road,
Hangzhou, Zhejiang, China (311305)

Tel: +86-571-88926735 88926755
Fax: +86-571-88926789 88132890

sales@hcforklift.com
www.hcforklift.com



Follow us on
Facebook



Follow us on
YouTube



Follow us on
WeChat



ISO 14001
ISO 14001:2015



ISO 9001
ISO 9001:2015



HANGCHA trucks conform to the European Safety Requirements.

HANGCHA GROUP CO., LTD. reserves the right to make any changes without notice concerning colors, equipment, or specifications detailed in this brochure, or to discontinue individual models. The colors of trucks, delivered may differ slightly from those in brochures.

2018 VERSION / COPYRIGHT 2018/12



X series Electric Tow Tractor

with capacities of 6,000 to 8,000kg

The World of Hangcha



Environment/ Efficiency/ Economy



Appearance

/ Large arc-shaped, streamlined surface modeling is adopted, with beautiful and elegant appearance.

Comfort

- / Fully flexible suspension system is adopted for both front and rear axles, featuring small vibration and comfortable operation.
- / The battery of standard configuration is removed from truck side, so that maintenance and replacement of the battery is more convenient and rapid, which is suitable for continuous operation.
- / The optional fully-enclosed cab is suitable for operation in all kinds of weather conditions.

Stability

/ The battery is sunk to bottom of carriage, so the truck has good stability.

Advancement

- / Electromagnetic brake is adopted as parking brake, instead of traditional hand brake, so as to realize intelligent parking braking.
- / Fully flexible suspension system is adopted for both front and rear axles to ensure comfortable driving of the operator.
- / Large-screen LCD display and failure self-diagnosis instrument are applied to enable accurate display even in harsh environment.
- / The newly configured AC control system offers efficient, accurate adjustment performance, and extends working hours for single charge.
- / All lights of the truck are of LED, and the latest streamer technology is applied for front turn signal lamps.
- / The entire truck features high speed and high efficiency, with maximum travel speed up to 18km/h.

Reliability and Safety

- / Motor controller, contactors, power socket, emergency power off switch and other main electric elements are all of famous brands from abroad.
- / Carriage, drive axle, steering axle and other main load-bearing parts are designed as high-strength parts, so as to meet heavy-load working conditions.
- / As standard configuration, emergency power off switch meets European safety standard.
- / AC power system features high efficiency, complete protection functions, and substantially higher reliability and service life.
- / Both front and rear wheels are equipped with brake to realize flexible and reliable braking.

Easy Maintenance

- / The brushless, maintenance-free AC motor reduces operation cost significantly.
- / The easily-removable rear deck cover is convenient for debugging and maintenance of electronic control system.
- / Electronic control and electric elements are placed together with high degree of integration.

Options

- / Simple canopy (with no windshield and windshield wipers)
- / Simple canopy (with windshield and windshield wipers)
- / Fully-enclosed cab
- / Fan (together with canopy or cab)
- / Alarm light
- / Specification of traction system (see Table 1)
- / Right and left rear-view mirrors (standard configuration for canopy, cab)
- / On-seat operation of traction pin
- / Fire extinguisher
- / Blue-light Lamp
- / Audible and visual alarm
- / LED rear working lamp
- / OPS system
- / Voice back-up beeper
- / Optional special seat
- / Optional imported brand battery
- / Super-elastic solid tires
- / Charger

Standard specification

- / LED headlamp (high beam, low beam), direction indication lamp, LED rear three-color combination lamp
- / DIN Battery
- / Horn, back-up beeper
- / Emergency power off switch
- / Large LCD display
- / Battery side roll out
- / Seat with safety belt



Cup holder, tool box

X Series Electric Tow Tractor



The battery can be removed from truck side, so it is very convenient for battery maintenance.



Loading platform, easy to load and unload goods



Various operating pedals, instruments, steering wheel, and switches are configured based on ergonomic requirements, and are comfortable and flexible for operation



Upon special design, the traction device can prevent the towing pin coming off during traveling



Low-level widely open foot board is very convenient for the operator to get on / off the truck